

C5000 SERIES



DEUTZ-FAHR
C5205 - C5305





TAKE CARE OF YOUR
HARVEST WITH
DEUTZ-FAHR



REMAIN INDEPENDENT, CHOOSE C5000

DEUTZ-FAHR reflects 100 years of experience and evolving technology just as in 1909 the KÖDEL & BÖHM combine stood as a technological benchmark in terms of performance and quality applied to the harvesting of grain.

Maximum performance harvesting all types of crops; reduced operating costs; exceptional cleanliness and quality of the grain; all the needed features in a compact design: the C5000 Series.

- Commander Cab EVO with premium operating comfort
- Top performance cutting table with working widths up to 4.80 m
- High efficiency fan with air intake across the entire width
- Commander Stick with integrated function controls and infinitely variable forward and reverse speeds
- Grain tank volume 4600 litres



THE FINEST CUT



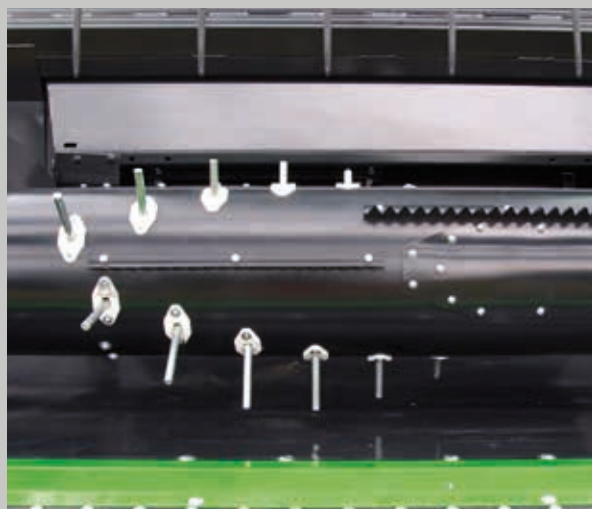
Top performance cutting headers designed with the combine.



Planetary transmission for high cutting frequency.



Patented Schumacher easy cut II knives.



The feeder auger with full length retractable fingers ensure continuous feed and crop flow.

Grain, oil seed rape, sunflowers and other crops; with a cutting table at the top end of the power scale the C5000 is at home on all fields.

With a cutting width range from 3.60 to 4.80 m it is a cut above the others when it comes to tough conditions.

The cutting system runs precisely and with minimum wear; with its extremely high cutting frequency (1200 cuts/min) the planetary knife drive ensures totally smooth and quietly operation.

The reel is electrically adjusted horizontally and vertically from the driving position. The speeds are infinitely variable at the touch of a button.

The user could change between: pressure controlled position of the cutter bar, fix height or Autocontrol system to keep the desired cutting height constant by following the ground surface.

The feeder channel with two robust ram can be precisely adjusted to the required height.

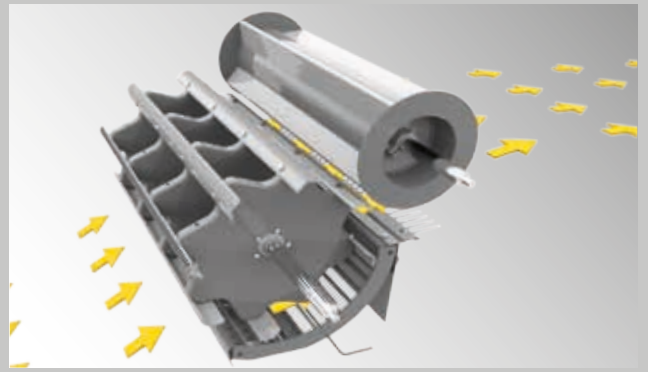
The feeding opening is wide to keep the same width of the threshing drum. 3 chains hold robust metal bars to maximize the flow of product to the threshing unit.

An electrically operated reversing unit will help the user to eliminate and prevent overloading of the system.

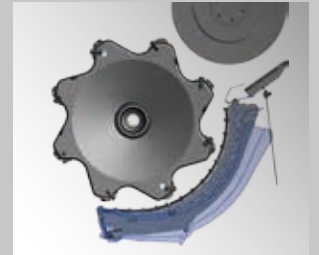
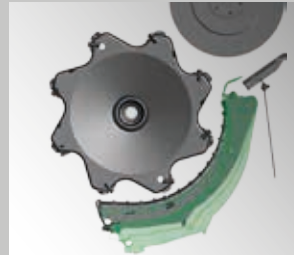
The maintenance of the feeding channel is easy and quick as all covers can be removed fast to have full access to all gears, chains and belts.



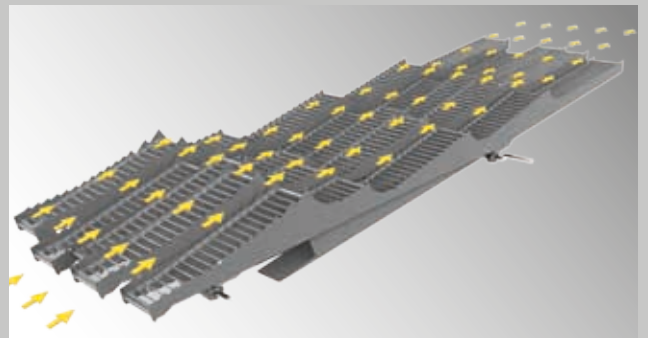
MINIMUM RESIDUES AFTER THRESHING



The DEUTZ-FAHR threshing system.



Concave adjustment independently in the front and rear.



Optimum flow to easily discharge long straw.

The grain separation efficiency of the C5000 is already extremely high in the concave: the 600 mm threshing drum equipped with 8 beater bars guarantees this tremendous capacity. It ensures a high threshing intensity and beating frequency.

As an added extra the wide concave has a 121° angle wrap and an area of 0.72 m².

The results: up to 95% grain separation is achieved in the concave, a high operating performance also under difficult conditions, high capacity, efficient threshing of all crops.

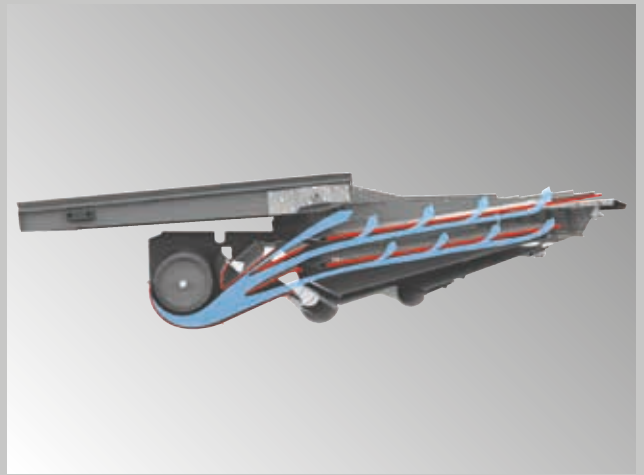
Each type of crop requires specific speeds. The right speed is set on the threshing drum variator within a range of 410 to 1220 rpm at the touch of a button.

The concave opening for intake and discharge can be adjusted simply, easily and independently, so that the most favourable clearance can be set for each type of crop over the entire concave length.

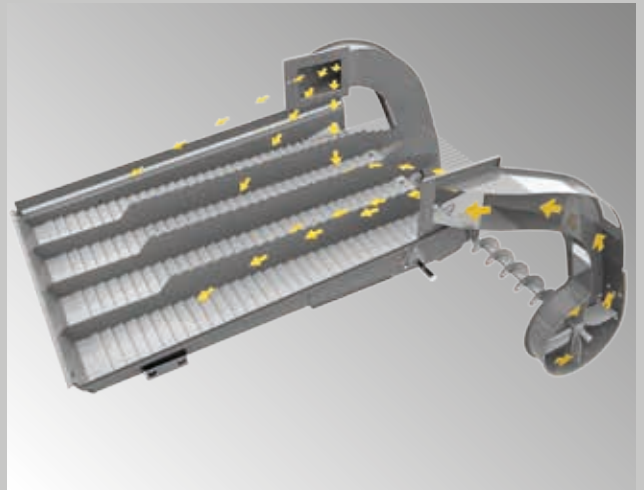
DEUTZ-FAHR C5000 can be adapted to every type of harvest and product. In fact, the machine can install 3 different types of concave in order to change from maize to grain or other crops.



**TAKES EACH
GRAIN SERIOUSLY**



The cross-flow turbine ventilation system.



The exclusive double return system.

THE C5000 LITERALLY TAKES CARE OF EVERY GRAIN

Its five straw walkers with a shaker area of 4.22 m² ensure optimum residual grain separation. They have five drops, the first of which is particularly steep. These features are the best for high throughput capacities.

The large sieves are centrally divided with an area of 3.75 m² and ensure efficient cleaning of all crops. The tall sieve divisions, also on the bottom sieves, are an added bonus.

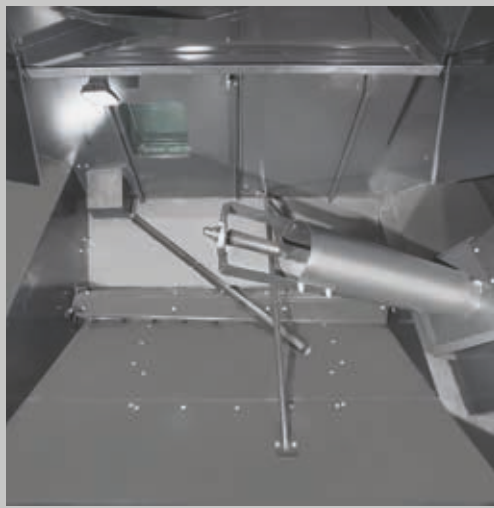
The cross-flow ventilation taking and spreading the air through the whole width of the combine helps keeping the cleaning procedure always efficient.

DGR

Another exclusive DEUTZ-FAHR feature is a returns system with two independent return channels which allows the crop to be distributed uniformly into the preparation area to avoid overloading the threshing system and generating unnecessary waste. Any ears not already threshed by the drum can be treated by two re-threshers, so that grain returned to the preparation area will be completely separated. Each of the re-threshers is equipped with a pair of special friction plates (adaptable to every type of crop, and interchangeable), guaranteeing high performance in all kinds of operating conditions.



MANAGES HUGE
QUANTITIES



Best in class 4600 l grain tank.



The easy sample picking outlet.



Unloading tube to discharge the grain while working in any position to tall trailer.

THE GRAIN TANK

The grain tank of the C5000 accommodates 4600 litres: ample space for many hours of threshing, as only threshing times count. The tank can be discharged in a flash, unloading takes roughly one minute. The enclosed unloading of the harvester permits rapid discharge in any position.

WHETHER LONG OR CHOPPED, STRAW TREATMENT IS TOP

With the new DEUTZ-FAHR high volume straw chopper, the ground can be left ready for subsequent tillage. The working width of this attachment is such that the chopped material can be spread over the

entire cut surface, covering the area created by even the widest headers. Engagement is easy and effortless, by means of a lever on the side of the machine and with no tools required.

The DEUTZ-FAHR threshing system will also deliver long straw in an ideal condition for animal and husbandry applications. In short, DEUTZ-FAHR combine harvesters are renowned for gentle handling of both grain and straw, which makes perfect sense, given that straw is often an important complementary product in cereal farming.



COMPLETE DRIVER FOCUS



The Commander Cab EVO.



The ventilation system with high efficiency air conditioning.



Easy engagement of the main functions.

THE COMMANDER CAB EVO

Is the perfect place to be when out in the fields during the long and dusty days of harvest time. The new console brings all the controls within easy reach and provides an unobstructed view to the right of the machine. A new manual climate control system ensures the operator can always enjoy ideal working conditions. The cab has plenty of storage space where the operator can organize documents and keep personal items.

Total hours operation of engine and threshing system.

There is also numerous indicators and alarms that will warn the operator immediately of any malfunction developing in the machine.

CCM

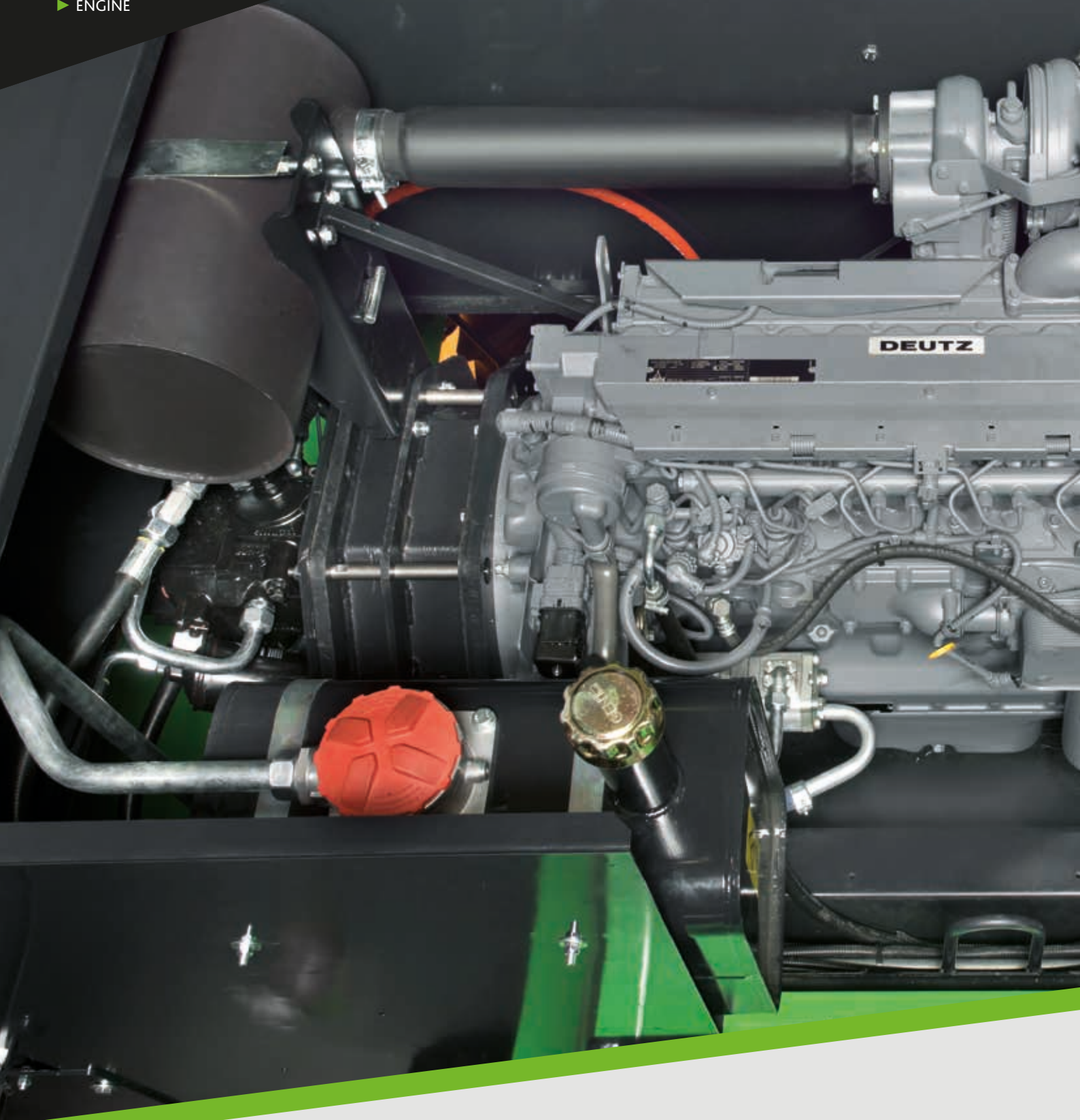
This is the best instrument available to the operator for monitoring the quality of the work being done at any given moment. Information visible at a glance:

- Ground speed
- Grain losses
- Total and partial surface areas harvested
- Drum speed
- Fan speed
- Total hours operation of engine and threshing system

There is also numerous indicators and alarms that will warn the operator immediately of any malfunction developing in the machine.

WORK LIGHTS

A powerful line-up of 6 work lights on the cab will illuminate the work area even in the darkest conditions. The beam produced is especially bright, but without unwanted glare or reflections. Completing the set of work lights are two further units on the straw-walker hood, and another at the side close to the unloading auger.



GENTLE POWER



High performance self cleaning air filter to work in any condition.



Big rotary screen to ensure maximum efficiency of the cooling system.

PRODUCTIVITY AND SAVINGS

The Deutz TCD L6 Tier3 6.1-L engines, cooled with liquid, distinguish themselves for their high power and constant performance. With Common Rail injection, 12 valves and an electronic governor system, these engines deliver exactly the right amount of power for the occasion and can respond to load peaks without losing productivity. C5205 offers a maximum power of 160 HP (118 kW) while the C5305 offers a power of 180 HP (132 kW).

A TWICE AS EFFICIENT TRANSMISSION SYSTEM

All the DEUTZ-FAHR combine harvesters have a compact transmission system, with engine power take off on both sides. It distinguishes itself for easy and rapid maintenance, as well as outstanding power feed to the individual units. The valve can be easily and rapidly replaced, thus avoiding useless waste of time so that you can harvest. The combine harvester is smaller, which is all the better for manoeuvrability.



EASY MAINTENANCE



Tool-free access to filter cartridge.



The electric fuses panel.



Easy access to all parts of the combine.



With the intelligent structural design of the C5000 Series, scheduled and unscheduled maintenance has never been simpler. The fuse box is situated in the cabin, making fuses quicker and safer to replace. The air filters are accessible without tools from the platforms on either side of the cab. Generously sized gullwing hatches allow easy access to parts beneath the bodywork, while a ladder lets the operator climb onto the top of the combine harvester and work, if necessary, on the engine,

cooling system and grain tank, and to climb down onto the straw walker through a specific hatch. Easy also to check and fix the tensioning of the chains of the channel; easy to access to the concave grid from outside the combine without using tools.

Compact and user-friendly, the right partner of your success.



MADE IN DEUTZ-FAHR



Precise and advanced laser cutting.



All components treated with cathaphoresis and automotive painting process.



ISO 9001-2008 certification.

Your harvest, your technology, your success and your manufacturer. DEUTZ-FAHR is synonymous with precision and attention to detail. More than 60% of the parts used to build the C5000 Series are manufactured within our own factory using technological production processes and quality control systems conceived for superlative results. Every metal component is formed with precise laser cutting processes and tried and tested bending machinery, and then welded by qualified, certified personnel with the utmost competence. The entire cathaphoresis treatment and spray painting process complies with the most exacting automotive standards to ensure durable finish quality

and protection. As well as structural and bodywork elements, transmission systems and final drive units are also assembled in-house. The combine harvester assembly process consists of 14 strictly ordered stages, and involves complex procedures to complete the different models with specific sub-assemblies, built and installed in dedicated assembly lines of their own within the main production line. Continuous inspections and tests conducted before any machine leaves the factory, combined with painstaking attention to detail, ensure total satisfaction for the DEUTZ-FAHR customer, as demonstrated by ISO 9001-2008 certification.

TECHNICAL DATA

COMBINE C5000

C5205

C5305

CEREAL HEADER

Width option		3.60 - 4.20 - 4.80	3.60 - 4.20 - 4.80
Hydraulic cutting height adjustment	mm	-120 / +1380	-120 / +1380
Oil-immersed planetary knife drive gearbox (1220 cuts/min.)		●	●
Long right and left crop dividers, fixed		○	○
No. of crop lifters (min/max depending on cutting width)		13 / 23	13 / 23
Trailer tow hitch		●	●
Header transport trolley		○	○
Hydraulic multicoupler		○	○
Automatic towing hitch		○	○
Rapeseed header conversion kit with hydraulic controlled side cutter on right		○	○
Side cutter for rapeseed on left with separate hydraulic control (only with rapeseed header)		○	○
Sunflower header conversion kit		○	○

PICK-UP REEL FOR CEREAL HEADERS

6-bar reel with hydraulic height adjustment		●	●
Hydraulic horizontal adjustment		●	●
Electrical speed control (min / max infinitely variable)	rpm	16 / 45	16 / 45
Automatic adjustment of reel rpm to travel speed		●	●

TRESHING DRUM

Diameter	mm	600	600
Width	mm	1110	1110
Bars	No.	8	8
Electrical variator	rpm	420 / 1220	420 / 1220

CONCAVE

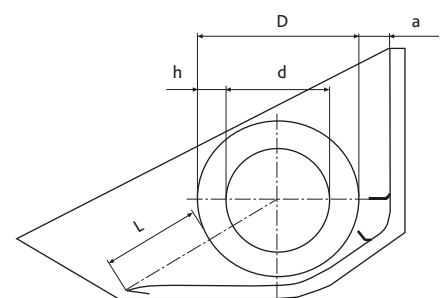
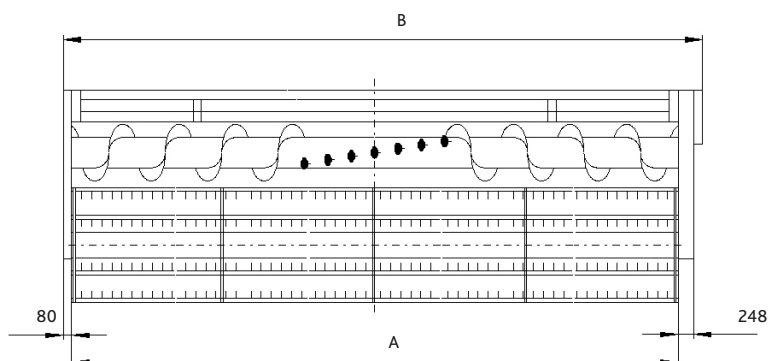
Bars	No.	15	15
Wrap angle	degrees	121	121
Separation surfaces	m ²	0.72	0.72
Multi-segment concave		○	○
Laterally operated de-awner plates		●	●
Manual adjustment of concave inlet/outlet		●	●
Conversion for maize harvesting, grain or CCMU		○	○

CEREAL HEADERS

Type	A (mm)	B (mm)	Weight (Kg)
3.60 m	3580	3970	1100
4.20 m	4187	4515	1170
4.80 m	4796	5124	1280

CEREAL HEADERS

L (mm)	D (mm)	d (mm)	h (mm)	a (mm)
480	610	350	130	50



TECHNICAL DATA

COMBINE C5000

C5205

C5305

STRAW WALKER

Elements	No.	5	5
Steps	No.	4	4
Straw walkers closed		●	●
Ball bearing mounts		●	●
Shaking surface area	m ²	4.22	4.22
Total separation surface	m ²	5.10	5.10

STRAW CHOPPER - CHAFF SPREADER

Built-in straw chopper with manually adjustable spread width		○	○
Chaff spreader with conveyor integrated in the sieves		○	○

CLEANING SYSTEM

High performance crossflow fan		●	●
Sieve box illumination		●	●
Opposed action sieves		●	●
Total ventilated sieve area	m ²	3.75	3.75

TAILING RETURN SYSTEM

Independent L/R returns with re-threshing system		●	●
--	--	---	---

GRAIN TANK

Lifting / Capacity	litres	4600	4600
Discharge in any position		●	●
Visual and audible grain tank level indicator		●	●
Interior light / Grain sampling from driving position		●	●
Discharge speed	l/sec.	75	75

ENGINE

Deutz Tier3 2 valve Common Rail engine (2012)		TDC L6 6.1-L	TDC L6 6.1-L
Homologated power (97/68/EC) at rated engine speed	kW/HP	118/160	132/180
Maximum power (ECE R 120)	kW/HP	118/160	132/180
Fuel tank	litres	300	300

TRANSMISSION / BRAKES / STEERING

Hydrostatic transmission with 3-speed gearbox (75 cc)		●	●
Forward speed / Reverse speed	km/h	0 - 26.0 / 0-14.0	0 - 26.0 / 0-14.0
Pedal operated hydraulic brake, usable as independent brake, mechanical parking brake		●	●

TYRES

Front 23.1-26AS 12 PR		○	○
Front 620/75 R26"		○	○
Rear 12.5/80-18 impl. 10 PR		○	○
Front 18.4-30 AS 12 PR		●	●
Rear 11.5/80-15.3 10 PR		●	●

CAB

Commander Cab EVO with tinted, thermally insulated glass providing panoramic visibility, comfort driving seat with armrest, passenger seat		●	●
Commander Stick with multiple control functions		●	●
CCM (Combine Control Management)		●	●
6 work lights on cab, 1 work light on grain tank, 2 rear work lights		○	○
Work visibility pack: work lights on sides, under-cab and on handrail		○	○
Heater and air conditioning		●	●

● STD ○ OPT

- Not available

* Optional or standard depending on version

TECHNICAL DATA

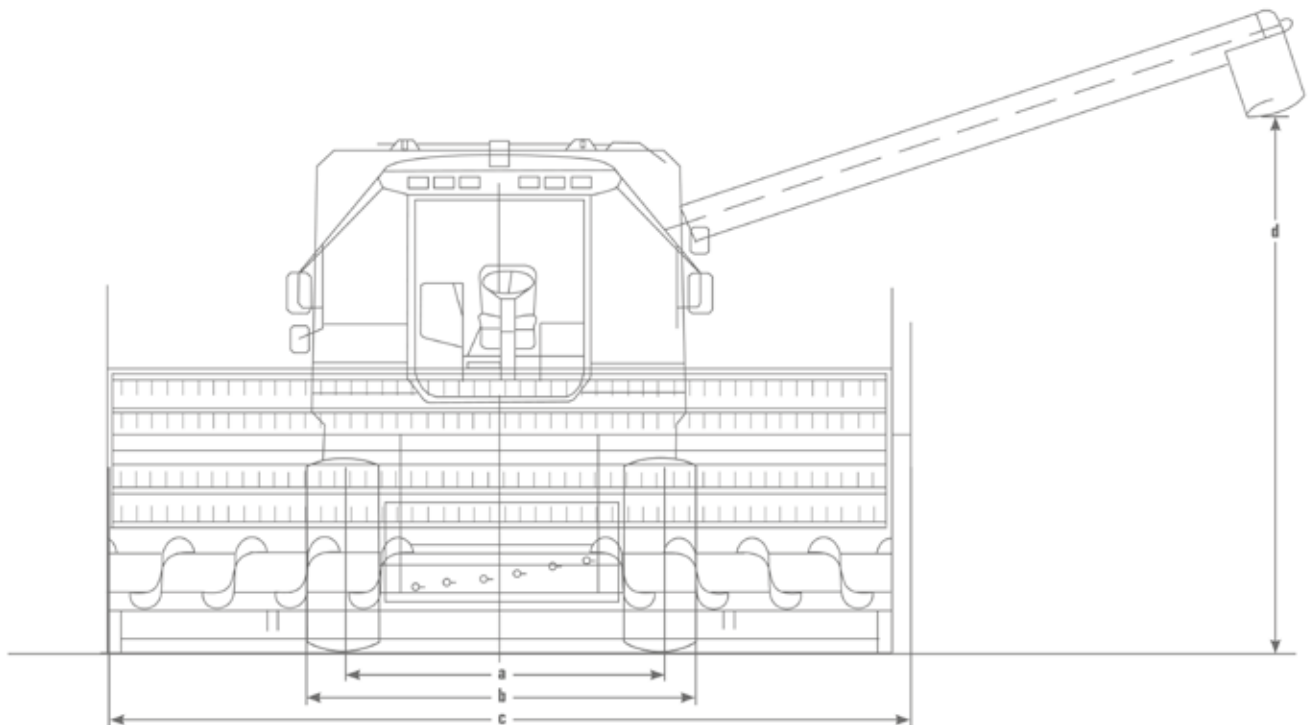
COMBINE C5000

C5205

C5305

DIMENSIONS

a Track width*	front	mm	2270	2270
	rear	mm	2240	2240
b Width* without cutter bar		mm	2870	2870
c Width with cutter bar	with 3.60 m cutter bar	mm	3900	3900
	with 4.20 m cutter bar	mm	4510	4510
	with 4.80 m cutter bar	mm	5120	5120
d Height to lower edge of grain tank discharge pipe with standard tyres			3450	3450
Distance between side wall of cutter bar and grain discharge pipe	with 3.60 m cutter bar	mm	1950	1950
	with 4.20 m cutter bar	mm	1645	1645
	with 4.80 m cutter bar	mm	1340	1340



TECHNICAL DATA

COMBINE C5000

C5205

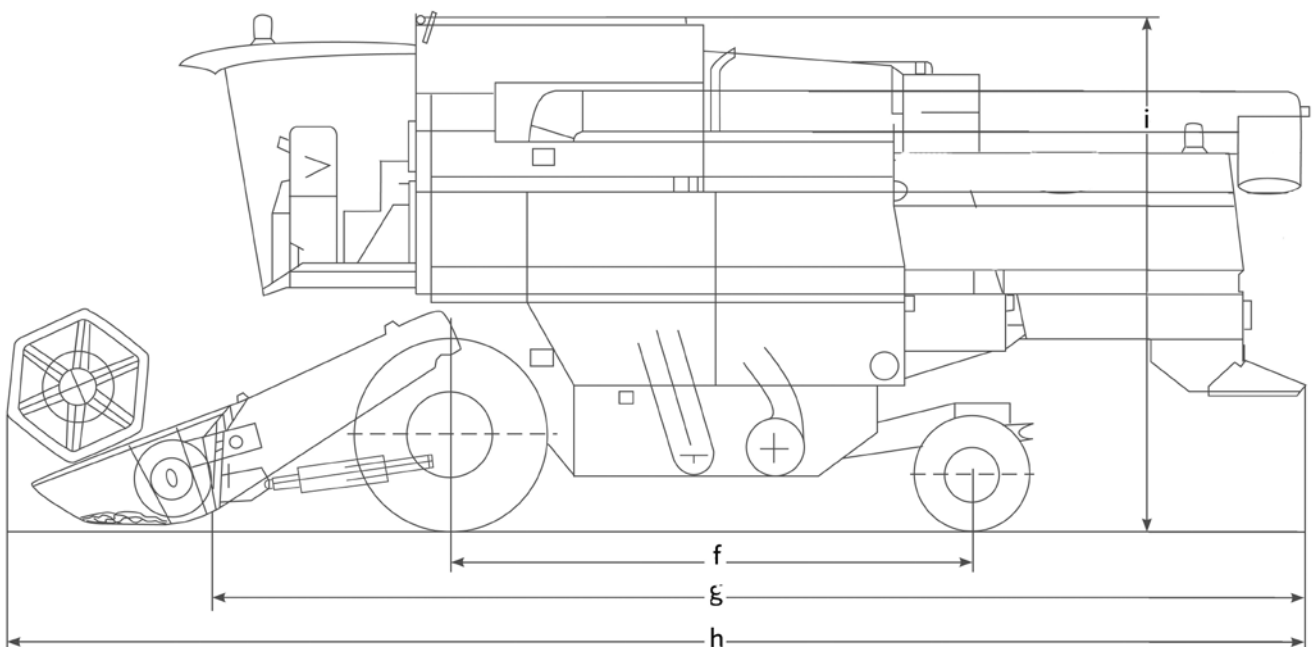
C5305

DIMENSIONS

f Wheelbase	mm	3220	3220
g Length without cutter bar	mm	7960	7960
h Length with cutter bar- crop dividers folded in (mm)	mm	10620	10620
i Grain tank height	mm	3720	3720

WEIGHTS

Without header	Kg	8050	8050
Weight with 3.60 m header	Kg	9150	9150
Weight with 4.20 m header	Kg	9220	9220
Weight with 4.80 m header	Kg	9330	9330



● STD ○ OPT


- Not available

* Optional or standard depending on version

Dealer

Produced by Marketing/Communication Department - Code 308.8503.3.4 - 11/17 I.P.

To discover more please contact your dealer
or visit deutz-fahr.com.

DEUTZ-FAHR is a brand of  SDF

